

# CEILEO DC 150 LIGHT IR

## CEILING BATH FAN



### Description

- The Ceileo fans are centrifugal exhaust fans for ceiling mounting in bathrooms, kitchens and other utility spaces.
- The Ceileo fans are designed for long duct runs. The fans are compatible with 6" air ducts.

### Benefits

- Low noise level
- Constant air flow
- High-performance DC motor
- Energy-efficient LED light
- Adjustable turn-off delay timer
- Connected motion sensor

### Specification

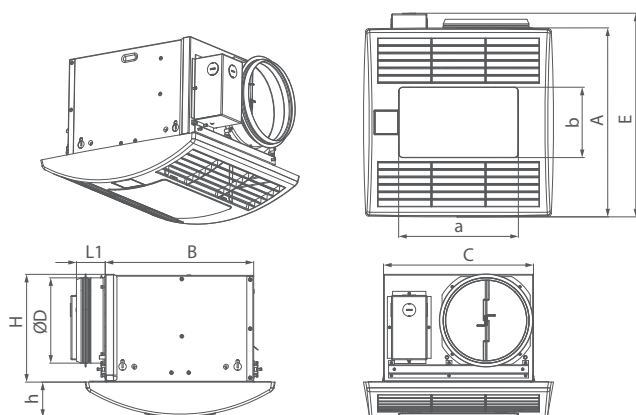
- Voltage: 120 V, 60 Hz
- Motor: DC motor
- Power consumption: 5–23 W
- Sones: 1.09–1.78
- Airflow capacity: up to 150 CFM
- Duct compatibility: Ø 6"
- IPX4 protection
- 24 months warranty

### Performance

Static Pressure [in.W.G.]	0.1"	0.25"	0.1"	0.25"	0.1"	0.25"	0.1"	0.25"	0.1"	0.25"	0.1"	0.25"	0.1"	0.25"	0.1"	0.25"	0.1"	0.25"	0.1"	0.25"
Air Volume [CFM]	150	120	140	118	130	117	120	112	110	106	100	98	90	88	80	79	70	69	60	59
Noise [Sones]	1.78	-	1.72	-	1.67	-	1.36	-	1.32	-	1.28	-	1.23	-	1.18	-	1.14	-	1.09	-
Power consumption [W]	23	19	21	19	20	19	20	19	17	18	14	17	11	16	11	15	11	13	5	9
Energy efficiency [CFM/W]	6.5	6.3	6.7	6.2	6.5	6.2	6	5.9	6.5	5.9	7.1	5.8	8.2	5.5	7.3	5.3	6.4	5.3	12	6.6
Speed [rpm]	1100	1200	1067	1193	1033	1190	1000	1174	967	1154	933	1128	900	1095	867	1066	833	1033	800	1000
Max current [Amps]											0.4									
Power rating [V/Hz]											120 / 60									
Energy Star qualified											V									

### Overall dimensions [in]

Model	D	d	L1	L2	A	B	C	E	H	h	a	b
Ceileo DC 150 Light IR	5 <sup>55</sup> / <sub>64</sub>	-	1 <sup>31</sup> / <sub>32</sub>	-	12 <sup>63</sup> / <sub>64</sub>	10 <sup>5</sup> / <sub>32</sub>	10 <sup>15</sup> / <sub>64</sub>	15 <sup>35</sup> / <sub>64</sub>	7 <sup>13</sup> / <sub>32</sub>	2 <sup>7</sup> / <sub>16</sub>	8 <sup>3</sup> / <sub>16</sub>	4 <sup>27</sup> / <sub>32</sub>



MODEL	QUANTITY	COMMENTS	PROJECT
			location:
			architect:
			engineer:
			contractor:
			submitted by: