

CEILEO 150 LIGHT IR

CEILING BATH FAN



Description

- The Ceileo fans are centrifugal exhaust fans for ceiling mounting in bathrooms and other utility spaces.
- The Ceileo fans are designed for long duct runs. The fans are compatible with and 6" air ducts.

Benefits

- Low noise level
- Reliable asynchronous double-speed motor
- Adjustable turn-off delay timer
- Connected motion sensor
- Energy-efficient LED light

Specification

- Voltage: 120 V, 60 Hz
- Motor: AC motor
- Power consumption: 23–39 W
- Sones: 1.7–3.7
- Airflow capacity: up to 172 CFM
- Duct compatibility: Ø 6"
- IPX4 protection
- Five-year warranty

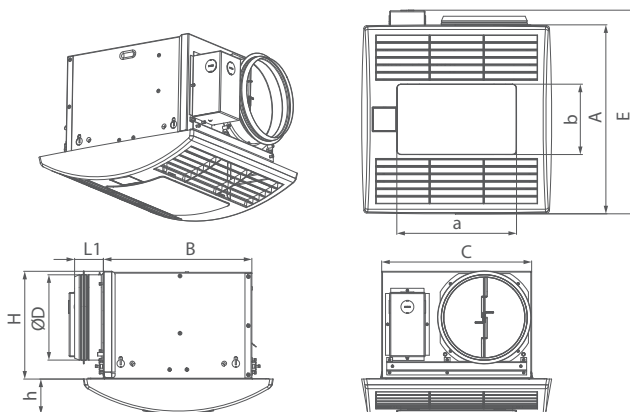
Performance

Duct Dia	Speed	Energy Star qualified	Watts*	Amps*	RPM*	Sones*	CFM vs. Static Pressure in.W.G.							Max. Ps	Volts/Hz
							0"	0.1"	0.2"	0.25"	0.3"	0.4"	0.5"		
6"	HS	V	39	0.32	1320	3.7	172	159	144	137	129	115	79	0.71	120 / 60
	LS		23	0.26	1068	1.7	119	105	94	89	84	61	40		

* Indicated at 0.1 in.W.G.

Overall dimensions [in]

Model	D	d	L1	L2	A	B	C	E	H	h	a	b
Ceileo 150 Light IR	5 55/64	-	1 31/32	-	12 63/64	10 5/32	10 15/64	15 35/64	7 13/32	2 7/16	8 3/16	4 27/32



MODEL	QUANTITY	COMMENTS	PROJECT
			location:
			architect:
			engineer:
			contractor:
			submitted by: