

CEILEO 150 LIGHT H

CEILING BATH FAN

Description

- The Ceileo fans are centrifugal exhaust fans for ceiling mounting in bathrooms and other utility spaces.
- The Ceileo fans are designed for long duct runs. The fans are compatible with 6" air ducts.



Benefits

- Low noise level
- Reliable asynchronous double-speed motor
- Adjustable turn-off delay timer
- Connected humidity sensor
- Energy-efficient LED light
- Adjustable mounting brackets

Specification

- Voltage: 120 V, 60 Hz
- Motor: AC motor
- Power consumption: 23–39 W
- Sones: 1.7–3.7
- Airflow capacity: up to 172 CFM
- Duct compatibility: Ø 6"
- IPX4 protection
- Five-year warranty

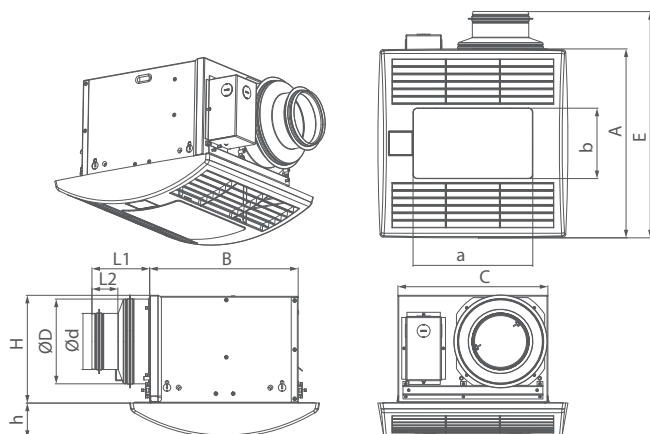
Performance

| Duct Dia | Speed | Energy Star qualified | Watts* | Amps* | RPM* | Sones* | CFM vs. Static Pressure in.W.G. | | | | | | | Max. Ps | Volts/Hz |
|----------|-------|-----------------------|--------|-------|------|--------|---------------------------------|------|------|-------|------|------|------|---------|----------|
| | | | | | | | 0" | 0.1" | 0.2" | 0.25" | 0.3" | 0.4" | 0.5" | | |
| 6" | HS | V | 39 | 0.32 | 1320 | 3.7 | 172 | 159 | 144 | 137 | 129 | 115 | 79 | 0.71 | 120 / 60 |
| | LS | | 23 | 0.26 | 1068 | 1.7 | 119 | 105 | 94 | 89 | 84 | 61 | 40 | | |

* Indicated at 0.1 in.W.G.

Overall dimensions [in]

| Model | D | d | L1 | L2 | A | B | C | E | H | h | a | b |
|--------------------|---------------------------------|---|---------------------------------|----|----------------------------------|---------------------------------|----------------------------------|----------------------------------|---------------------------------|--------------------------------|--------------------------------|---------------------------------|
| Ceileo 150 Light H | 5 ⁵⁵ / ₆₄ | - | 1 ³¹ / ₃₂ | - | 12 ⁶³ / ₆₄ | 10 ⁵ / ₃₂ | 10 ¹⁵ / ₆₄ | 15 ³⁵ / ₆₄ | 7 ¹³ / ₃₂ | 2 ⁷ / ₁₆ | 8 ³ / ₁₆ | 4 ²⁷ / ₃₂ |



| MODEL | QUANTITY | COMMENTS | PROJECT |
|-------|----------|----------|---------------|
| | | | location: |
| | | | architect: |
| | | | engineer: |
| | | | contractor: |
| | | | submitted by: |