

# CEILEO 130 LIGHT

## CEILING BATH FAN



### Description

- The Ceileo fans are centrifugal exhaust fans for ceiling mounting in bathrooms and other utility spaces.
- The Ceileo fans are designed for long duct runs. The fans are compatible with 4" and 6" air ducts.

### Benefits

- Low noise level
- Reliable asynchronous double-speed motor
- Energy-efficient LED light
- Adjustable mounting brackets

### Specification

- Voltage: 120 V, 60 Hz
- Motor: AC motor
- Power consumption: 23–35 W
- Sones: 1.1–2.4
- Airflow capacity: up to 131 CFM
- Duct compatibility: Ø 4" and 6"
- IPX4 protection
- Five-year warranty

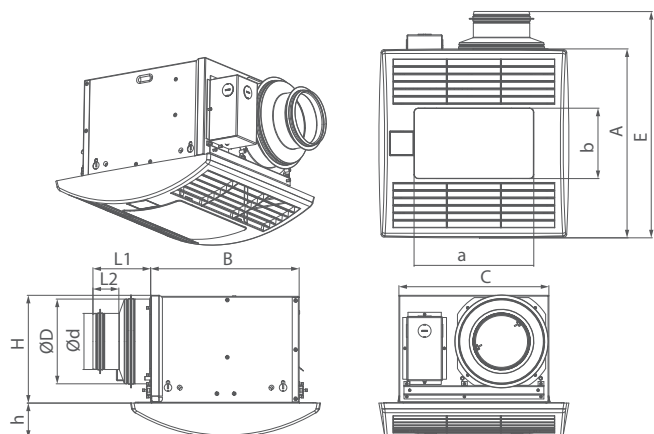
### Performance

Duct Dia	Speed	Energy Star qualified	Watts*	Amps*	RPM*	Sones*	CFM vs. Static Pressure in.W.G.							Max. Ps	Volts/Hz
							0"	0.1"	0.2"	0.25"	0.3"	0.4"	0.5"		
4"/6"	HS	V	35	0.3	1121	2.4	131	120	108	101	91	67	36	0.6	120 / 60
	LS		23	0.2	920	1.1	88	78	63	51	42	23	-		

\* Indicated at 0.1 in.W.G.

### Overall dimensions [in]

Model	D	d	L1	L2	A	B	C	E	H	h	a	b
Ceileo 130 Light	5 <sup>53</sup> / <sub>64</sub>	3 <sup>55</sup> / <sub>64</sub>	3 <sup>15</sup> / <sub>16</sub>	1 <sup>49</sup> / <sub>64</sub>	12 <sup>63</sup> / <sub>64</sub>	10 <sup>5</sup> / <sub>32</sub>	10 <sup>15</sup> / <sub>64</sub>	15 <sup>35</sup> / <sub>64</sub>	7 <sup>13</sup> / <sub>32</sub>	2 <sup>7</sup> / <sub>16</sub>	8 <sup>3</sup> / <sub>16</sub>	4 <sup>27</sup> / <sub>32</sub>



MODEL	QUANTITY	COMMENTS	PROJECT
			location:
			architect:
			engineer:
			contractor:
			submitted by: